

70-2000 Series

Electropneumatic Controllers/Motors

D70200579X012

Specifications

For other materials or modifications, please consult TESCO. M.

OPERATING PARAMETERS

Application

Any application requiring remotely controlled, electronically operated:

Pressure Reducing Regulators

26-1000, 26-1600, 26-2000, 54-2000 Series

Backpressure Regulators

26-1700, 26-2300, 54-2100 Series

Electrical

10-24 VDC nominal

1.0 AMP operational current

6.0 AMP surge current

2.0 AMP time delay actuator control fuse

1.5 AMP fast acting motor protection fuse

Mechanical

Actuator connector (3 pins): MS3102A-10SL-3P

Note: Mating electrical plug connector and cable clamp is included with the actuator. The electrical cable is not included.

Continuous Motor Torque: 51 in-lbs / 5.8 N•m

Intermittent Motor Torque (approximate): 100 in-lbs / 11 N•m

GEAR SPEED	NO LOAD	VOLTS	10	15	20	24
		RPM	11.5	18	24	30
31 IN-LBS LOAD	VOLTS	10	15	20	24	
		RPM	6	11	19	24

Actuation time for complete range of regulator outlet pressure (at 24 VDC):

26-1000 Series (11-1/2 full turns): 25 seconds

26-1600 Series (5-1/2 full turns): 15 seconds

Note: The motorized regulator provides a linear discharge pressure curve.

OTHER

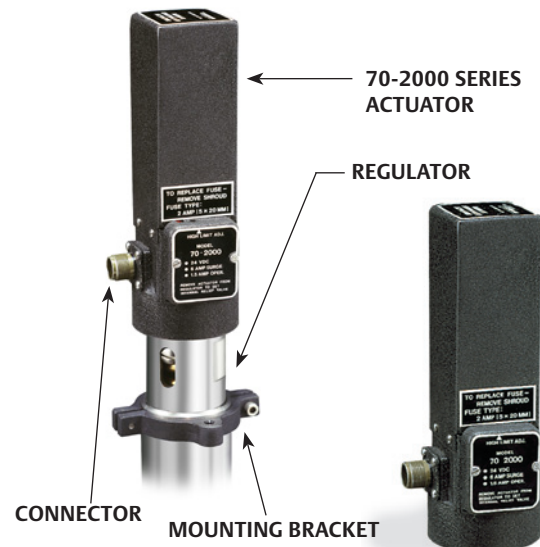
Weight (with regulator mounted)

26-1000 Series (Brass and Stainless Steel): 8 lbs / 3.6 kg

26-1000 Series (Aluminum): 6 lbs / 2.7 kg

26-1600 Series (Stainless Steel): 6 lbs / 2.7 kg

26-1600 Series (Aluminum): 5 lbs / 2.3 kg



TESCOM 70-2000 Series motorized actuator is designed for any application requiring remotely controlled, electronically operated, pressure reducing / backpressure regulators.

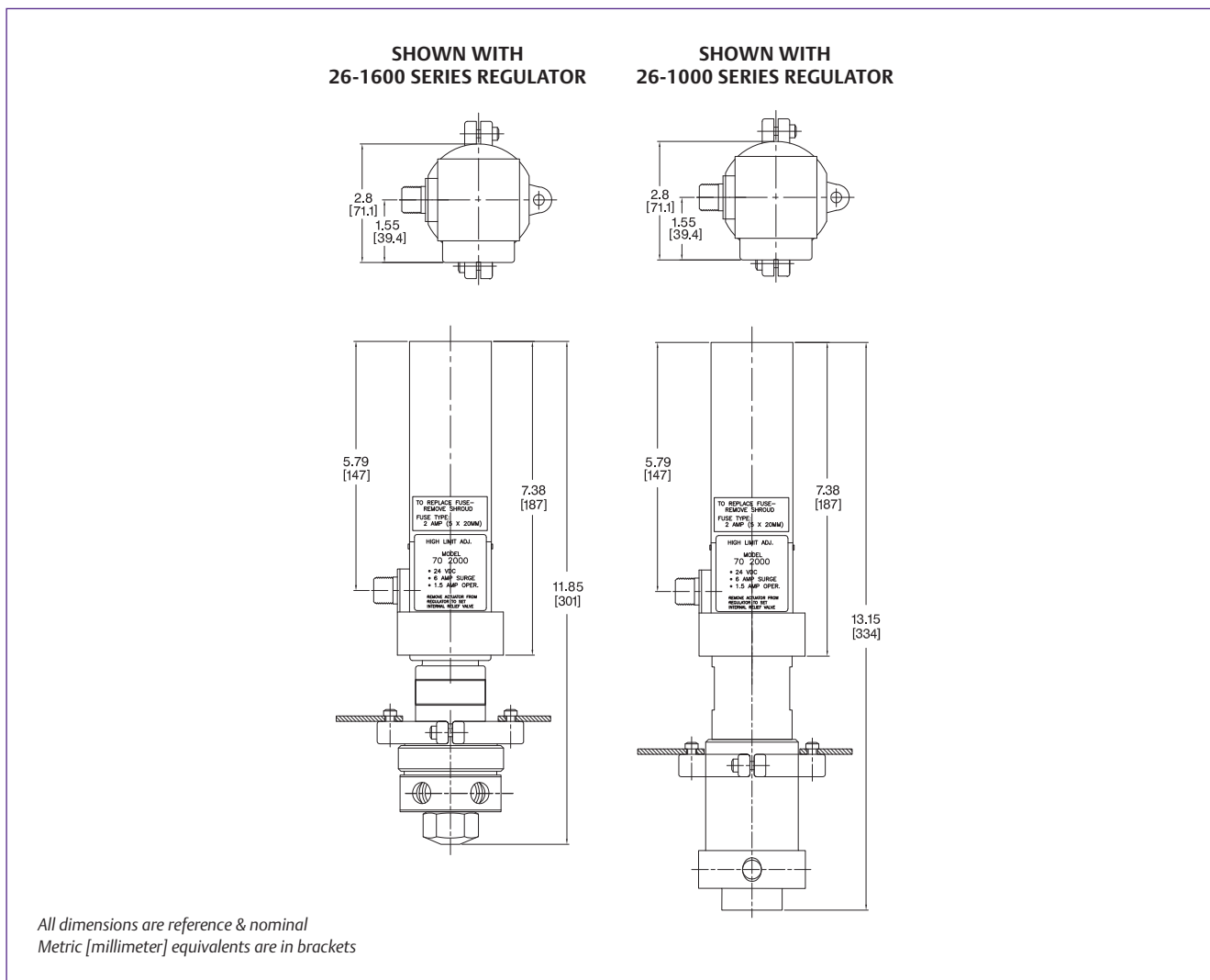
Applications

- Test Equipment
- Remote Actuation
- Oil Patch Control

Features and Benefits

- Adjusts regulator to any setpoint by remote control, eliminating the need for an operator in the pressure area
- Compatible with several TESCO pressure reducing and backpressure regulators in many applications
- Limit switches provide operating range and prevent overtravel
- Variable speed control
- Replaceable fuse protection
- Easily mounted on regulator
- Hazloc enclosure is available

70-2000 Series Actuator Drawings



70-2000 Series Actuator Requirements

70-2000 ADAPTABLE TO	REQUIREMENTS
26-1000, 26-1700, 26-2000, 54-2000, 54-2100 Series regulators	Removal of handknob
26-1600, 26-2300 Series regulators	Removal of handknob, addition of the bonnet adapter and 3 set screws (see table below)

70-2000 Series Actuator Part Numbers

QUANTITY	PART NUMBER	DESCRIPTION
1	70-2000	Actuator complete with limit switches
1	3883-3	Bonnet adapter (26-1600, 26-2300 (500 psig / 34.5 bar) Series)
3	3647	Set Screw (26-1600, 26-2300 (500 psig / 34.5 bar) Series)

Note: Actuators may be ordered with or without a regulator.



WARNING! Do not attempt to select, install, use or maintain this product until you have read and fully understood the *TESCOM Safety, Installation and Operation Precautions*.

D70200579X012 © 2012 Emerson Process Management Regulator Technologies, Inc. All rights reserved. 05/2012.
Tescom, Emerson Process Management, and the Emerson Process Management design are marks of one of the Emerson Process Management group of companies. All other marks are the property of their respective owners.