

3/4" Full Flow Regulator

Model 20415

Features

- ▶ Original Shear-Seal® technology
- ▶ Self adjusting
- ▶ High flow capacity
- ▶ Tolerates contaminated media
- ▶ Fail-safe motor control options
- ▶ Self venting

Applications

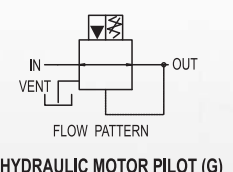
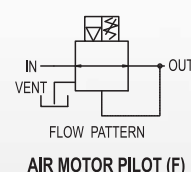
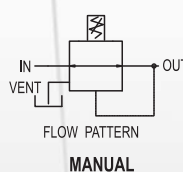
- ▶ Coiled tube reels
- ▶ Land-based and offshore oil drilling controls
- ▶ Pressure sensitive applications



General Specifications*

Pressure:	
Supply/Inlet Pressure:	5,000 psi (345 bar)
Regulated Pressure Range (manual):	300-3000 psi (21 - 207 bar)
Regulated Pressure Range (failsafe motor):	500-2400 psi (34 - 165 bar)
Fluid Temperature Range:	-40° to +250°F (-40° to +121°C)
Proof Pressure:	7,500 psi (517 bar)
Burst Pressure:	12,500 psi (862 bar)
Flow:	
Flow Rate:	70 GPM
Outlet Cv:	9.8
Vent Cv:	0.6
Porting:	
Inlet:	1" NPT
Outlet (regulated):	1" NPT
Vent:	1/2" NPT
Gauge Port:	3/8" NPT
Materials of Construction:	
Body:	Stainless steel
Flanges:	Phosphate coated alloy steel (stainless steel optional)
Housing:	Phosphate coated alloy steel

Materials of Construction (cont.):	
Standard O'Ring material:	Buna N
Socket Head Screws:	Zinc plated alloy steel (stainless steel optional)
Wetted Parts:	Stainless steel
Pneumatic Pilot Motor ("F" prefix):	
Pilot Motor Working Pressure:	80-100 psi (5.5-6.9 bar)
Porting:	1/4" NPT
Operating Temperature Range:	40°-220°F (4°-104°C)
Hydraulic Pilot Motor ("G" prefix):	
Pilot Motor Working Pressure:	400-1650 psi (27.5 - 114 bar)
Porting:	SAE for 3/8" tube (Size 6)
Temperature Rating:	-40° to +150°F (-40° to +66°C)
Approximate Shipping Weights:	
Manual Set:	47 lbs. (21.3 kg)
Air or Hydraulic Failsafe	70 lbs. (31.8kg)

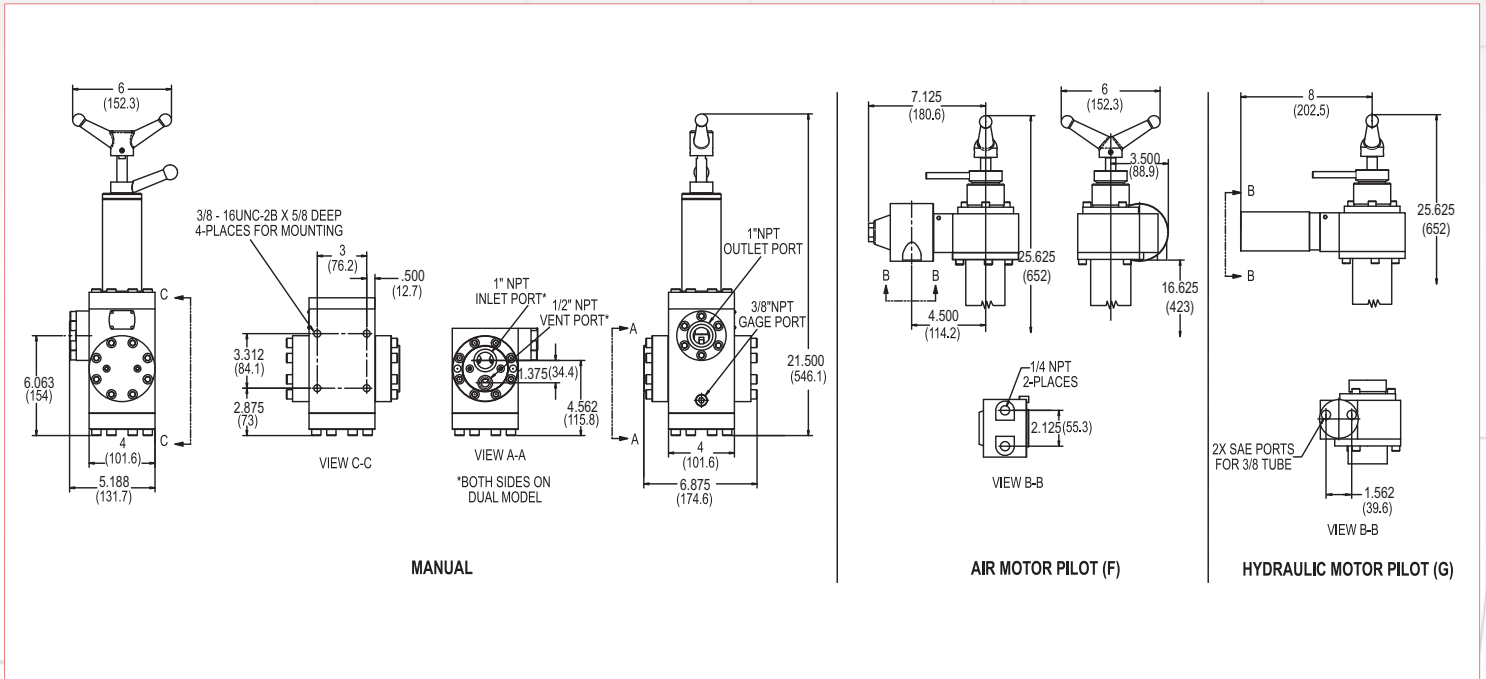


* See product configurator for additional options.

3/4" Full Flow Regulator

Model 20415

Technical Drawings



Product Configurator

Example: 20415S3WQ2

Adjustment Method

	Manual
F	Pneumatic failsafe motor
G	Hydraulic failsafe motor

Series

20415S3WQ2 3/4" Shear-Seal regulator

Regulated Pressure Range

	300-1500 psi (21-103 bar) or 500-3000 psi (34-207 bar) for motor actuated models
-1	1500-3000 psi (103-207 bar) - manual only