

EZE-Seal

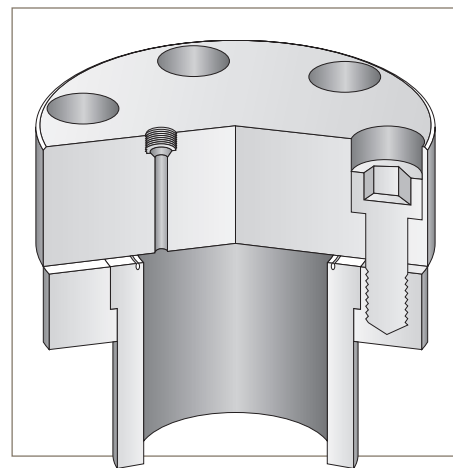
Pressure Vessel

Volume: 60 ml to 1,000 ml

Vessel MAWP*: 1,100 psi @ 850°F (176 bar @ 454°C)
3,300 psi @ 850°F (228 bar @ 454°C)

Material of Construction: 316 Stainless Steel

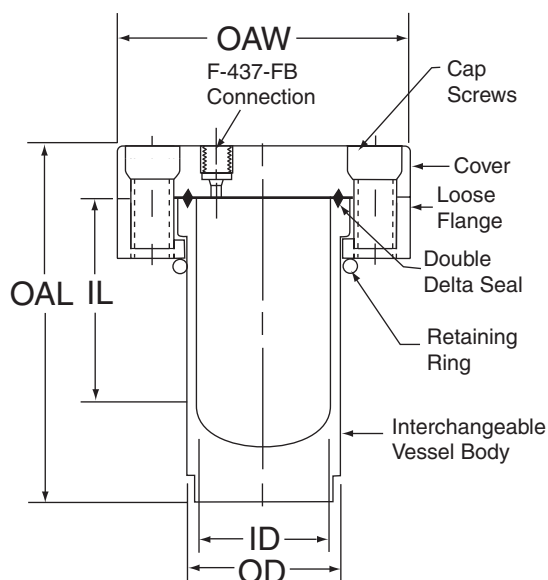
* Maximum Allowable Working Pressure



Principle of Operation:

The Parker Autoclave Engineers' EZE-Seal design consists of a two piece, loose flange designed for ease of assembly and flexibility. The design features a unique, reusable Double Delta metal-to-metal seal, designed to permit easy closing of the vessel assembly because of substantially reduced torque requirements. The seal ring is silver plated, providing a layer of lubrication between sealing surfaces and allowing for cost effective multiple resealings. O-rings can be used as an alternative to the metal seal for lower temperatures and where reactant properties permit.

General Specifications:



Model Drawing #	†MAWP @ 850°F (454°C)	Nominal Capacity	Dimensions - inches (mm)				
			ID	OD	IL	OAL	OAW
DD006SS0130A-5293	1100	60 ml	1.00" (25)	2.06" (52)	2.77" (71)	5.44" (138)	3.94" (100)
DD013SS0130A-5282	1100	135 ml	1.81" (46)	2.06" (52)	2.75" (70)	5.44" (138)	3.94" (100)
DD030SS0130A-5283	1100	300 ml	1.81" (46)	2.06" (52)	6.69" (170)	9.31" (237)	3.94" (100)
DD006SS0330A-5294	3300	60 ml	1.00" (25)	2.31" (59)	2.77" (71)	5.65" (144)	4.19" (106)
DD013SS0330A-5284	3300	135 ml	1.81" (46)	2.31" (59)	2.75" (70)	5.65" (144)	4.19" (106)
DD030SS0330A-5285	3300	300 ml	1.81" (46)	2.31" (59)	6.69" (170)	9.50" (241)	4.19" (106)
DD050SS0330A-5288	3300	500 ml	3.00" (76)	3.78" (96)	4.38" (111)	8.19" (208)	6.18" (157)
DD100SS0330A-5289	3300	1000 ml	3.00" (76)	3.78" (96)	8.72" (222)	12.31" (313)	6.18" (157)

* NOTE: 60 ml body is spiral grooved for use with optional external cooling coil.
† Maximum operating pressure is 10% lower than MAWP

Vessel Interchangeability:

- 60 ml, 135 ml, and 300 ml bodies rated for 1,100 psi (76 bar) are interchangeable.
- 60 ml, 135 ml, and 300 ml bodies rated for 3,300 psi (228 bar) are interchangeable.
- 500 ml and 1000 ml bodies are interchangeable.



ENGINEERING YOUR SUCCESS.

MAWP vs. Temperature Rating:

Model	Nominal Capacity	°F °C	-20 to 100°	200°	300°	400°	500°	600°	700°	750°	800°	850°	900°	950°	1000°	1050°	1100°
			-29 to 37.8°	93°	148°	204°	260°	315°	371°	398°	426°	454°	482°	510°	537°	565°	593°
DD006SS01 DD013SS01 DD030DD01	60ml 135 ml 300 ml	psi (bar)	1175 (81)	1175 (81)	1150 (79)	1150 (79)	1125 (78)	1075 (74)	1025 (71)	1025 (71)	1000 (69)	1000 (69)	925 (64)	750 (52)	600 (41)	425 (29)	275 (19)
DD006SS03 DD013SS03 DD030SS05 DD050SS03 DD100SS03	60 ml 135 ml 300 ml 500 ml 1000 ml	psi (bar)	3250 (224)	3250 (224)	3250 (224)	3175 (219)	3175 (219)	3175 (219)	3100 (214)	3075 (212)	3025 (209)	3000 (207)	2800 (193)	2300 (159)	1800 (124)	1275 (88)	625 (43)

Ordering Guide:



Part Number Example: **DD0135SS01** (example selections indicated in yellow below)

A - Pressure Vessel	
DD	EZE-Seal

B - Capacity in ml	
0006	60 ml
0135	135 ml
0300	300 ml
0500	500 ml
1000	1000 ml

C - Material of Construction	
SS	316 Stainless Steel
HC	Hastelloy® C276
IN	Inconel 600

D - Pressure: psi (bar)	
01	1000 (76)
03	3000 (207)

Optional O-Ring Chart	
Material	Maximum Temperature
Buna N	250°F (121°C)
EPR	300°F (149°C)
Silicone	400°F (204°C)
* Viton®	450°F (232°C)
* PTFE Encapsulated *Viton®	450°F (232°C)
* Kalrez®	500°F (260°C)

NOTES:

HASTELLOY® is a registered trademark of Haynes International Inc.

* Products are registered trademarks of Dupont Dow Elastomers.

Features and Available Options:

- Connection can be adapted to different sizes
- Multiple Connections
- Other Materials of construction
- Heaters and Furnaces
- Stand (Bench or Floor Style)
- Cooling and Heating Jackets
- Drain Valves
- Consult Factory to discuss your specific requirements

Supporting Information:

Please refer to the following sections of the catalog for complimentary products and additional technical details.

- **"MagneDrives®"** - (Agitation Section, Bulletin AG-SG)
- **"Controls"** - (Instrumentation Section, Bulletin IN-SG)
- **"Complete Systems"** - (Stirred Reactor Section, Bulletin SR-SG)
- **"Valves, Fittings, Tubing"** - (VFT Catalog, www.autoclave.com)

WARNING

FAILURE, IMPROPER SELECTION OR IMPROPER USE OF THE PRODUCTS AND/OR SYSTEMS DESCRIBED HEREIN OR RELATED ITEMS CAN CAUSE DEATH, PERSONAL INJURY AND PROPERTY DAMAGE.

This document and other information from Parker Hannifin Corporation, its subsidiaries and authorized distributors provide product and/or system options for further investigation by users having technical expertise. It is important that you analyze all aspects of your application and review the information concerning the product or system in the current product catalog. Due to the variety of operating conditions and applications for these products or systems, the user, through its own analysis and testing, is solely responsible for making the final selection of the products and systems and assuring that all performance, safety and warning requirements of the application are met. The products described herein, including without limitation, product features, specifications, designs, availability and pricing, are subject to change by Parker Hannifin Corporation and its subsidiaries at any time without notice.

Offer of Sale

The items described in this document are available for sale by Parker Hannifin Corporation, its subsidiaries or its authorized distributors. Any sale contract entered by Parker will be governed by the provisions stated in Parker's standard terms and conditions of sale (copy available upon request).



Instrumentation Products Division
 Autoclave Engineers Operation
 8325 Hessinger Drive
 Erie, PA 16509-4679
 Tel: 814 860 5700 • Fax: 814 860 5718
www.AutoclaveEngineers.com

Caution! Do not mix or interchange component parts or tubing with those of other manufacturers. Doing so is unsafe and will void warranty.

Caution! Parker Autoclave Engineers Valves, Fittings, and Tools are not designed to interface with common commercial instrument tubing and are designed to only connect with tubing manufactured to Parker Autoclave Engineers AES specifications. Failure to do so is unsafe and will void warranty.

Bulletin PV-EZE

ENGINEERING YOUR SUCCESS.