

Air-Driven, High Pressure Liquid Pump

Series ACL72-01

Single-Acting, Single Piston Air Drive

Technical Data: Liquid Side Specifications

- Service: *Oil, Water or Water/Oil mixture and other fluids depending on material compatibility*
- Maximum Outlet Pressure: *12,500 psi (862 bar)*
- Air to Liquid Pressure Ratio: *1:88*
- Volume Displacement Per Stroke: *0.09 in³ (1.47 cm³)*
- Inlet Connection: *3/8" FNPT*
- Outlet Connection: *Parker Autoclave F250C-1/4" Female High Pressure (Contact Parker Autoclave Engineers for Additional Options)*

Technical Data: Air Side Specifications

- Air Drive Pressure Range: *15-150 psi (1-10 bar) *See note*
- Nominal air pressure required for 12,500 psi (862 bar) output pressure is *142 psi (9.8 bar)*
- Inlet Port: *1/4" FNPT*
- Exhaust Port (muffler removed): *1/4" FNPT*
- Air Consumption @ 90 psi: *13 SCFM*
- Prelubricated at Factory

General Specifications

- Maximum Operating Temperature: *0-140° F (-18° to 60° C)*
- Net Weight: *8 lbs. (3.6 kg)*
- Pressure Head: *316 Stainless Steel*
- Plunger: *440 Stainless Steel*
- Check Valve Glands: *15-5PH Stainless Steel*
- Liquid Seal: *See Ordering Guide for options*
- Air Drive Seals: *Buna N*

Note: Maximum air drive pressure is limited by maximum output pressure.



**Autoclave
Engineers** 

MADE IN THE U.S.A.

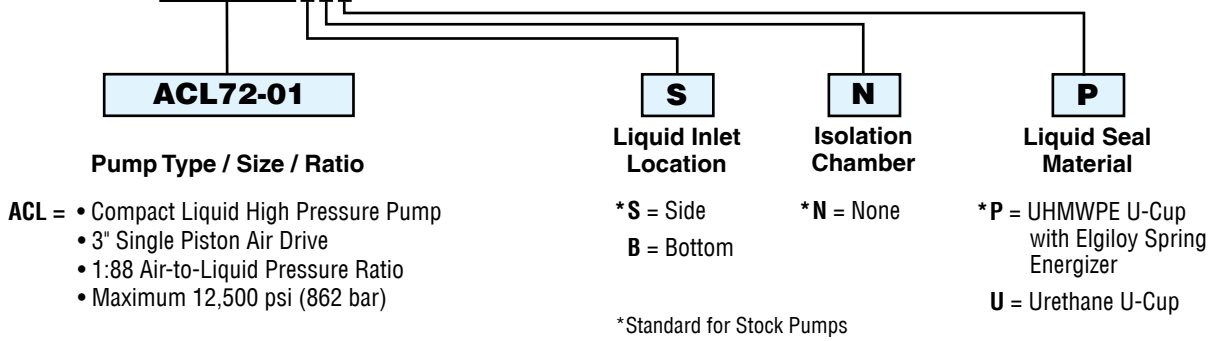
Single-Acting, Single Piston Air Drive

Bottom Inlet Shown

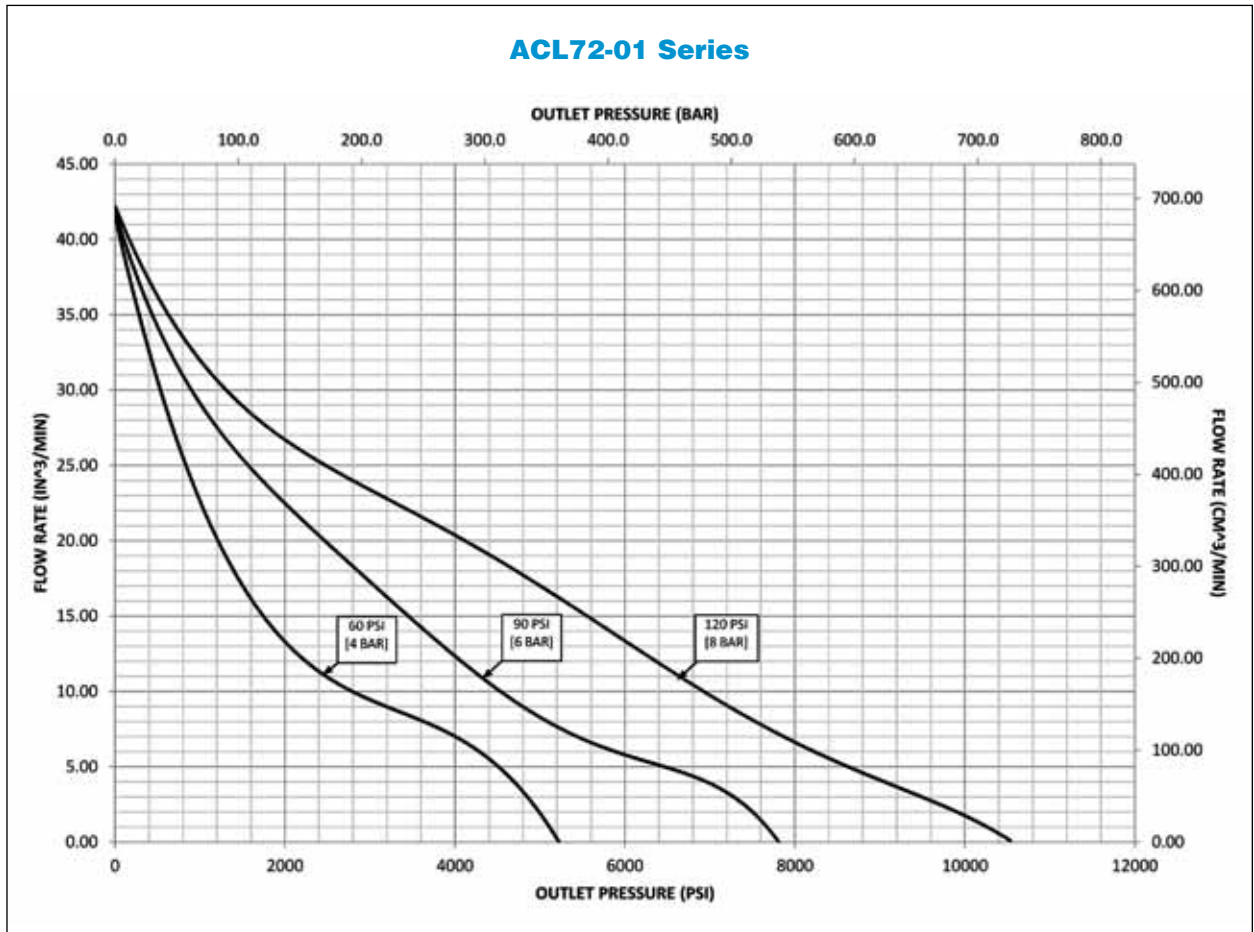
Ordering Guide:

For complete information on available pump options, contact Parker Autoclave Engineers.

Typical catalog number: **ACL72-01SNP**

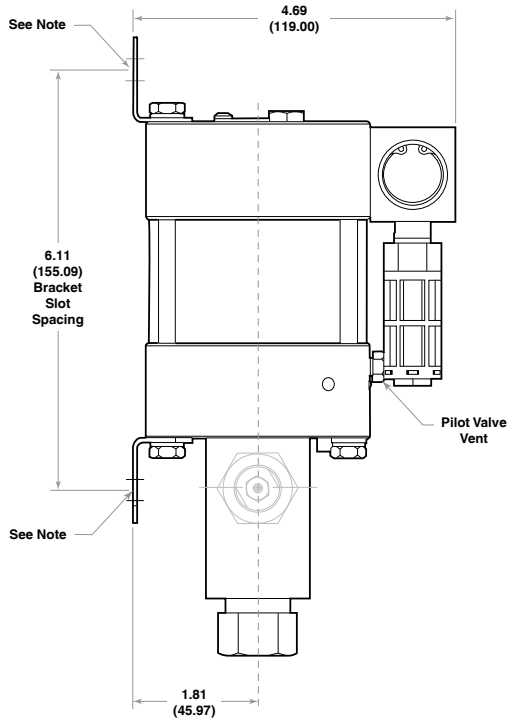


Flow Rate vs. Outlet Pressure:

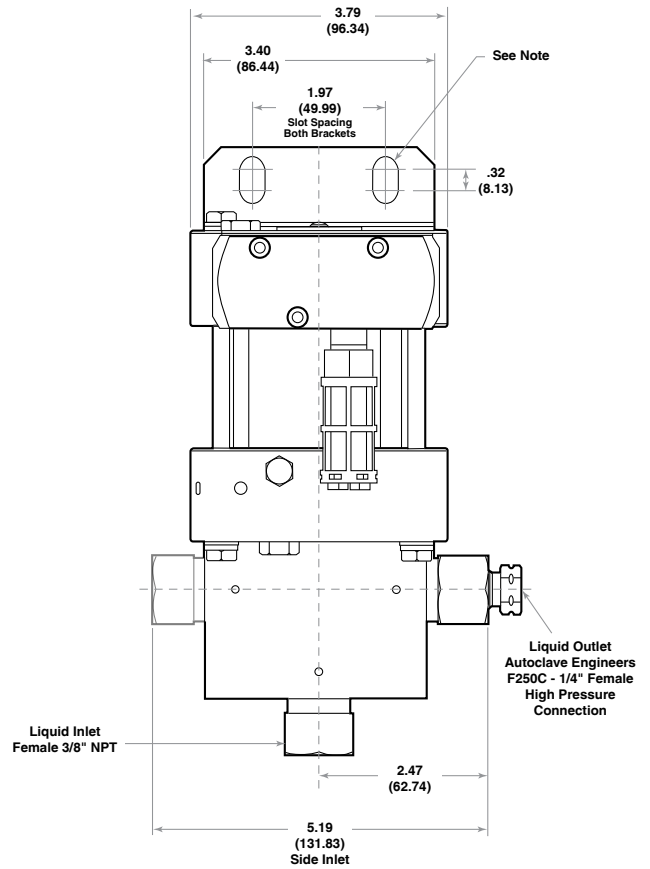


Actual flow rates will vary depending on air flow capacity, downstream flow restrictions, and fluid type.

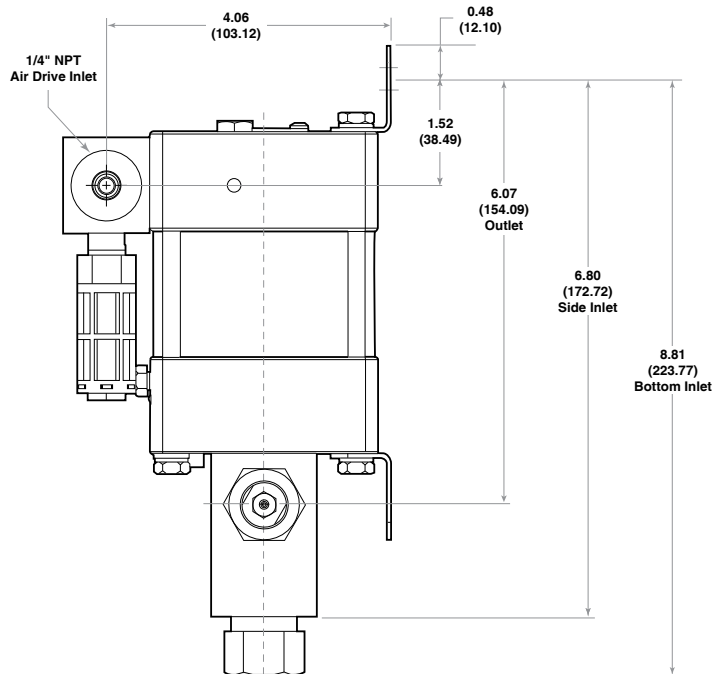
Dimensional Data:



Left View



Front View



Right View

Note:

Each Mounting Bracket includes (2) x 3/8" (9.53) Slots for 5/16" Bolts.
 Bottom Inlet Pump Head and Side Inlet Pump Head are mutually exclusive.
 All dimensions are for reference only and are subject to change without notice.

Primary Dimensions: Inches
 Secondary Dimensions: (Millimeters)

Accessories Available:

- Air Control Packages
- Pneumatic Pilot switches and Solenoid Valves
- Stroke Counter
- Relief Valve / Safety Heads
- Complete line of High Pressure Components - Valves, Fittings & Tubing
- Spare Parts
- Service



Typical Air Control Package



For complete information on available high pressure accessories, please contact Parker Autoclave Engineers.

WARNING

FAILURE, IMPROPER SELECTION OR IMPROPER USE OF THE PRODUCTS AND/OR SYSTEMS DESCRIBED HEREIN OR RELATED ITEMS CAN CAUSE DEATH, PERSONAL INJURY AND PROPERTY DAMAGE.

This document and other information from Parker Hannifin Corporation, its subsidiaries and authorized distributors provide product and/or system options for further investigation by users having technical expertise. It is important that you analyze all aspects of your application and review the information concerning the product or system in the current product catalog. Due to the variety of operating conditions and applications for these products or systems, the user, through its own analysis and testing, is solely responsible for making the final selection of the products and systems and assuring that all performance, safety and warning requirements of the application are met. The products described herein, including without limitation, product features, specifications, designs, availability and pricing, are subject to change by Parker Hannifin Corporation and its subsidiaries at any time without notice.

Offer of Sale

The items described in this document are available for sale by Parker Hannifin Corporation, its subsidiaries or its authorized distributors. Any sale contract entered by Parker will be governed by the provisions stated in Parker's standard terms and conditions of sale (copy available upon request).

© 2013 Parker Hannifin Corporation | Autoclave Engineers is a registered trademark of the Parker Hannifin Corporation

02-9294BE

January 2013



Instrumentation Products Division
Autoclave Engineers Operation
8325 Hessinger Drive
Erie, Pennsylvania 16509-4679 USA
PH: 814-860-5700 FAX: 814-860-5811
www.autoclave.com

Parker Hannifin Manufacturing Ltd.
Instrumentation Products Division, Europe
Industrial Estate Whitmill
Wexford, Republic of Ireland
PH: 353 53 914 1566
FAX: 353 53 914 1582

Caution! Do not mix or interchange parts or tubing with those of other manufacturers. Doing so is unsafe and will void warranty.

ISO-9001 Certified
Air-Driven, High Pressure Liquid Pump - Series ACL72-01