

Hammer Union

4-20 mA Hazardous Location Pressure Transmitters

Hammer Union



Applications

- Acidizing
- Fracturing
- Mud Pressure Measurement
- Choke and Kill
- BOP's
- Standpipe
- Cementing
- Stimulation

Standard Features

- $\pm 0.25\%$ Accuracy
- Intrinsically Safe: CSA, ATEX
- Flameproof
- Explosion Proof
- Torque Sensitivity Isolated
- RFI/EMI Protection
- Vibration Protected
- Handle and Protective Connector Cap
- Inconel 718 Wetted Parts



STI's Wider Connector Shield

Hammer Union Specifications

Baseline Configuration Specs Represented.
Modifications Encouraged - See Below
Custom Designs Available

Performance

Static Accuracy

± 0.25% FSO by BFSL or
± 0.1% FSO by BFSL (optional).

Thermal Error

< ± 0.020% FSO/°F typical.
< ± 0.005% FSO/°F optional.

Insulation Resistance

> 100 megohms at 50 Vdc at 70°F.

Zero Balance

± 1% FSO at 70°F.

Span

± 1% FSO at 70°F.

Frequency Response

Consult Factory.

Mechanical Characteristics

Standard Ranges

0 - 5000, 6000, 7500, 10000, 15000 PSIG.

Proof Pressure

1.5 times FSO range minimum.

Burst Pressure

2.0 times FSO range minimum
or maximum rating of hammer union.

Operating Media

Fluids and gases compatible with
Inconel 718. Other materials optional.

Enclosure

Completely welded.

Pressure Fitting

Male hammer union to mate with 2"
#1502 or #2202.

Weight

Approximately 5 lbs.

Electrical Characteristics

Excitation

9-36 Vdc unregulated.

Output Signal

4-20 mAdc.

Electrical Termination

PTIH-10-6P stainless steel connector or
equivalent.

— or —

1/2" NPTM conduit with 10 ft. leads.

Options available.

Environmental Characteristics

Compensated Temperature Range

-40°F to +185°F.

Operating Temperature Range

-65°F to +250°F.

Certification / Rating

Hazardous Location Certification

ATEX CERTIFIED MODELS:

GT2350 Flameproof II 1 G EEx d IIC T5
GT2450 Intrinsically Safe II 1 G EEx ia IIC T5

EMC Directive 89/336/EEC

European Pressure Equipment Directive 97/23/EC

CANADIAN STANDARDS

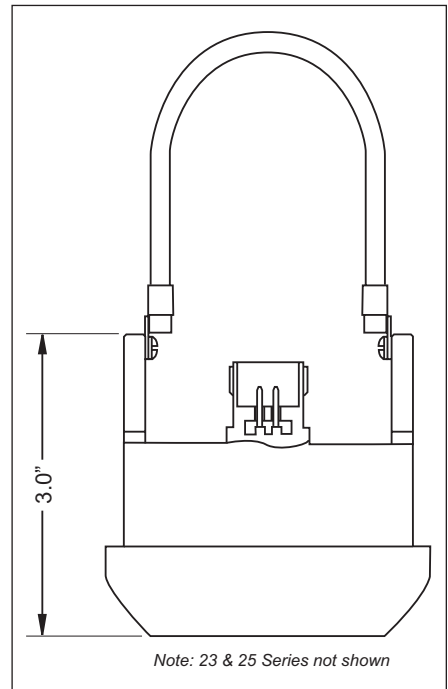
ASSOCIATION/UL CERTIFIED MODELS:

GT2250 Intrinsically Safe Class I, Div1, Groups ABCD
Non-Incendive Class I, Div2, Groups ABCD

GT2550 Explosion Proof Class I, Div1, Groups ABCD
Non-Incendive Class I, Div2, Groups ABCD



Dimensions (inches)



MODEL IDENTIFICATION

G	T	2	X	X	X
SERIES					
MODEL			ANALOG OUTPUT		DIGITAL OUTPUT
2	3	4	5	0	1
2 = CSA I.S.			0 = Volts = NA		0 = None
3 = ATEX EX			5 = Loop		1 = RS-485
4 = ATEX I.S.			1 = None		2 = RS-232
5 = CSA EX					3 = PDA
					4 = CANbus
					5 = MODbus



MODIFICATIONS: We realize transducer applications vary greatly and as such our designs are flexible. Choice of pressure port, electrical termination, material compatibility and performance characteristics are a few of the many options available. Specifications on this datasheet represent the standard configuration only. Product and company names listed are trademarks of their respective companies. Specifications subject to change without notice.

WARRANTY: Stellar Technology warrants that its product shall be free from defective workmanship and/or material for a twelve month period from the date of shipment, provided that Stellar Technology's obligation hereunder shall be limited to correcting any defective material FOB our factory. No allowance will be made for any expenses incurred for correcting any defective workmanship and/or material without written consent by Stellar Technology. This warranty is in lieu of all other warranties expressed or implied.

Find For More Information at:
stellartech.com

Due to the nature of technology, changes are inevitable. For latest technical specifications, see our website.

237 Commerce Drive • Amherst, NY 14228 • USA

Tel: 716.250.1900 • Fax: 716.250.1909

Email: info@stellartech.com

ISO 9001:2000

