



**CM**  
Century Valve

## ***Instrumentation Products Overview***

# World Leading Instrument Valve Solutions



Century Valve is the number one choice for Instrument Valves and Manifolds; number one for range of products and number one for quality of manufacture and performance. With more than 20 years of innovative engineering expertise, combined with the massive global presence of Tyco Valves & Controls, Century Valve is the world's single source for instrumentation solutions.

## **Total Quality Management**

Century Valve has invested in innovative factory and manufacturing automation and is ISO 9001-2000 certified for all its manufacturing facilities. The continuous improvement inherent in the quality management process assures the greatest possible confidence in the integrity and performance of every single Century Valve product.

## **The complete range of Instrument Valve products**

Engineering designs which achieve optimum quality and high performance, mean that Century Valve can supply the ideal valve for every application, from simple isolation to manifolds for pressure, flow or level measuring instruments.

In addition to its comprehensive range of standard valves and manifolds, Century Valve has also developed a number of exclusive products for special applications.

For example, when developing a compact design for their CM40DB double block and bleed isolation instrument valve, Century Valve successfully overcame the weight and space restrictions normally associated with many traditional installations. The CM40DB double block and bleed isolation instrument valve is engineered to mount directly to most process connections, including flanges, butt weld, and weldolets, providing maximum safety with minimum vibration concerns. The CM40DB also combines compactness with easy access in the field, as a result of its versatile design that allows for horizontal or vertical mounting.

Century Valve - Global capabilities for your entire instrument valve and manifold application needs.

## Hand Valves

Century hand valves are suitable for all instrument isolation duties, giving you bubble tight shut-off time after time. With metal or soft seats for gas, vapor or liquid applications, rated up to 10,000 psig [690 barg] and available in a range of standard and exotic materials there is a hand valve for even the most severe service.

### Specifications

<b>Materials</b>	CS, SS, Monel®, Hastelloy®, Duplex and other exotic materials
<b>Seat</b>	Metal and Soft
<b>Connections</b>	1/4" to 1" threaded, welded and flanged also available
<b>Orifice Sizes</b>	1/8" [3 mm], 3/16" [4.7 mm], 1/4" [6.4 mm], 3/8" [9.5 mm], 5/8" [16 mm]
<b>Pressure (max)</b>	10,000 psig [690 barg]
<b>Temperature (max)</b>	1000°F [538°C]



## Gauge Valves

Century gauge valves include multi-port and block and bleed styles suitable for gauge isolation, calibration and venting with a choice of either globe pattern or straight-thru bore designs. A wide choice of end connections and comprehensive range of standard gauge accessories allows complete flexibility for individual installations

### Specifications

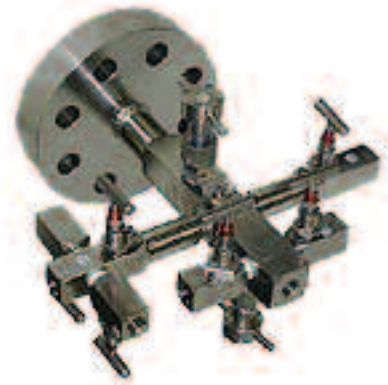
<b>Materials</b>	CS, SS, Monel®, Hastelloy®, Duplex and other exotic materials
<b>Seat</b>	Metal and Soft
<b>Connections</b>	1/2" to 3/4" threaded, welded and flanged also available
<b>Orifice Sizes</b>	1/8" [3 mm], 3/16" [4.7 mm], 1/4" [6.4 mm], 3/8" [9.5 mm]
<b>Pressure (max)</b>	10,000 psig [690 barg]
<b>Temperature (max)</b>	1000°F [538°C]



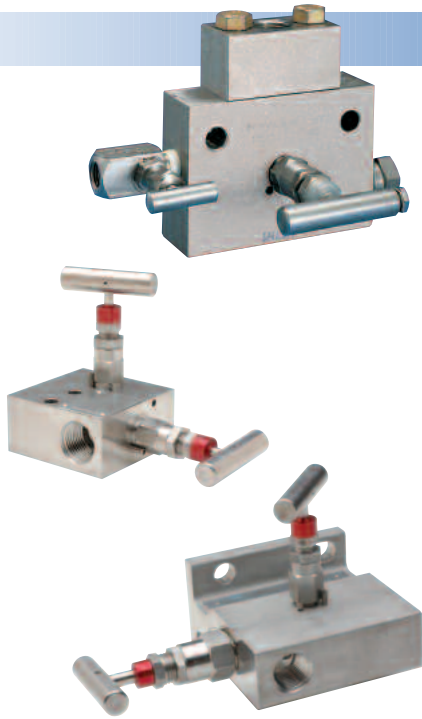
Century Valve CM40 and CM40DB gauge root valves are design for numerous piping and instrument applications. With connections ranging from flanged, butt weld, socketweld, and threaded they are suitable for most process and piping connections. All root valves are equipped with 3/8" roddable bore, in line replacable seat, and Century's patented non-rotating, firesafe bonnet assemblies. Meets ANSI B31.1 and B31.3 codes.

### Specifications

<b>Materials</b>	CS, SS, Monel®, Hastelloy®, Duplex and other exotic materials
<b>Seat</b>	Metal and Soft
<b>Connections</b>	1/2" to 1" threaded, welded and flanged
<b>Orifice Sizes</b>	3/8" [9.5 mm]
<b>Pressure (max)</b>	6000 psig [414 barg]
<b>Temperature (max)</b>	1000°F [538°C]



## Pressure Manifolds

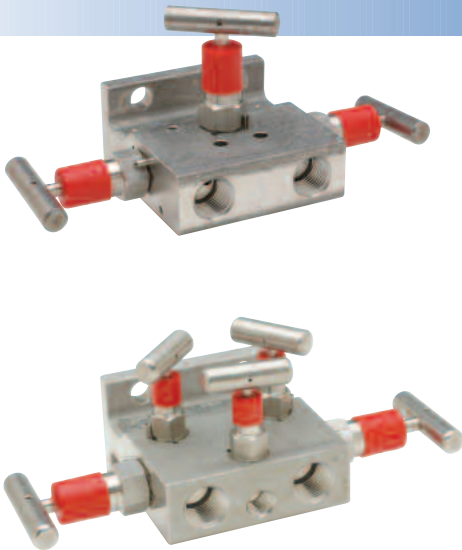


The range of pressure manifolds is suitable for all types of static pressure instruments from gauges to 'smart' pressure transmitters. Available for direct or remote mounting, the pressure manifolds enable isolation, calibration and venting in a single unit.

### Specifications

<b>Materials</b>	CS, SS, Monel®, Hastelloy®, Duplex and other exotic materials
<b>Seat</b>	Metal and Soft
<b>Connections</b>	1/4" to 1/2" threaded, flanged, also suitable for direct mounting
<b>Orifice Sizes</b>	1/8" [3 mm], 3/16" [4.7 mm]
<b>Pressure (max)</b>	6000 psig [414 barg]
<b>Temperature (max)</b>	1000°F [538°C]

## Flow and Level Manifolds



Century Valve has the largest and most innovative range of 'differential pressure' flow and level manifolds available in the world with models available for every kind of D/P instrument. These include conventional three and five valve manifolds as well as purpose-designed models for special applications.

### Specifications

<b>Materials</b>	CS, SS, Monel®, Hastelloy®, Duplex and other exotic materials
<b>Seat</b>	Metal and Soft
<b>Instrument Connections</b>	1/4" to 1/2" threaded or flange mounting
<b>Process Connections</b>	1/4" to 1/2" threaded or flange mounting
<b>Orifice Sizes</b>	1/8" [3 mm], 3/16" [4.7 mm], 1/4" [6.4 mm], 3/8" [9.5 mm]
<b>Pressure (max)</b>	6000 psig [414 barg]
<b>Temperature (max)</b>	1000°F [538°C]

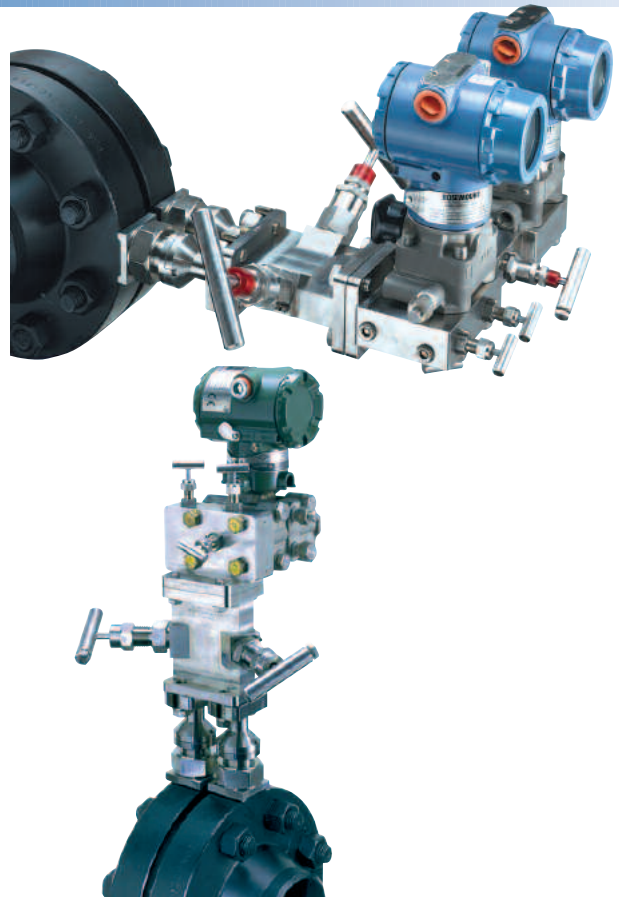


## Custody Transfer Systems

Close couple or remote mounting of differential pressure transmitters. Patented unique two-piece design allows removal of transmitter for calibration. Block module provides process isolation. Suitable for connection of Coplanar™ and biplanar style transmitters. For gas or liquid service.

### Specifications

<b>Materials</b>	SS, Monel®, Hastelloy®, Duplex and other exotic materials
<b>Seat</b>	Metal and Soft
<b>Instrument Connections</b>	Flange Coplanar™ or biplanar
<b>Process Connections</b>	1/2" and suitable for direct flange mounting
<b>Orifice Sizes</b>	3/16" [4.7 mm], 1/4" [6.4 mm], 3/8" [9.5 mm]
<b>Pressure (max)</b>	6000 psig [414 barg]
<b>Temperature (max)</b>	1000°F [538°C]

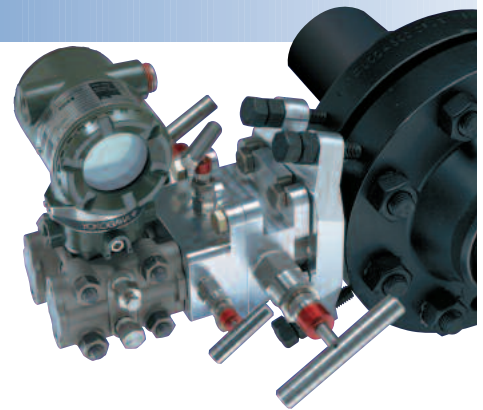


## CenturyMount

Close coupling of differential pressure transmitters; close couples on to orifice flange unions. Patented design does not require impulse lines or mounting brackets. Allows substantial cost savings over conventional installations. Enhanced transmitter performance with 3/8" [9.5 mm] bore. For gas or liquid service.

### Specifications

<b>Materials</b>	SS, Monel®, Hastelloy®, Duplex and other exotic materials
<b>Seat</b>	Metal and Soft
<b>Instrument Connections</b>	Flanged Coplanar™ or biplanar
<b>Process Connections</b>	Direct mount with 1/2" MNPT or 1/2" Socketweld
<b>Pressure (max)</b>	6000 psig [414 barg]
<b>Temperature (max)</b>	1000°F [538°C]



## Direct Mount Systems



Century Valve's Direct Mount system is designed for the installation of instruments on fiscal metering applications. The system provides close coupling to the orifice tap and full porting to reduce any possible measurement inaccuracy through induced square root error. The system also has a range of other components to ensure the complete installation has full porting and the flexibility for single or multiple mounting of instruments.

## Accessories



A range of accessories complementary to instrument valves and manifolds allow maximum versatility and flexibility. Accessories include bleeder valves, bleed plugs and bleed tees, gauge adapters and gauge syphon, kidney flanges (futbols) and air distribution manifolds.

Coplanar™ is a trademark of Rosemount, Inc.

Hastelloy® is a registered trademark of Haynes International.

Monel® is a registered trademark of Special Metals Corporation



## **Instrumentation Products Overview**

3003 16th Street NE  
Calgary, AB T2E 7K8  
Phone: (403) 250-9742, (800) 396-4598  
Fax: (403)250-8624



The data presented in this bulletin is for general information only. Manufacturer is not responsible for acceptability of these products in relation to system requirements. Patents and Patents Pending in U.S. and foreign countries. All rights reserved. Printed in U.S.A. Tyco reserves the right to change product designs and specifications without notice. © Copyright 2005

[www.tycoflowcontrol.com](http://www.tycoflowcontrol.com)